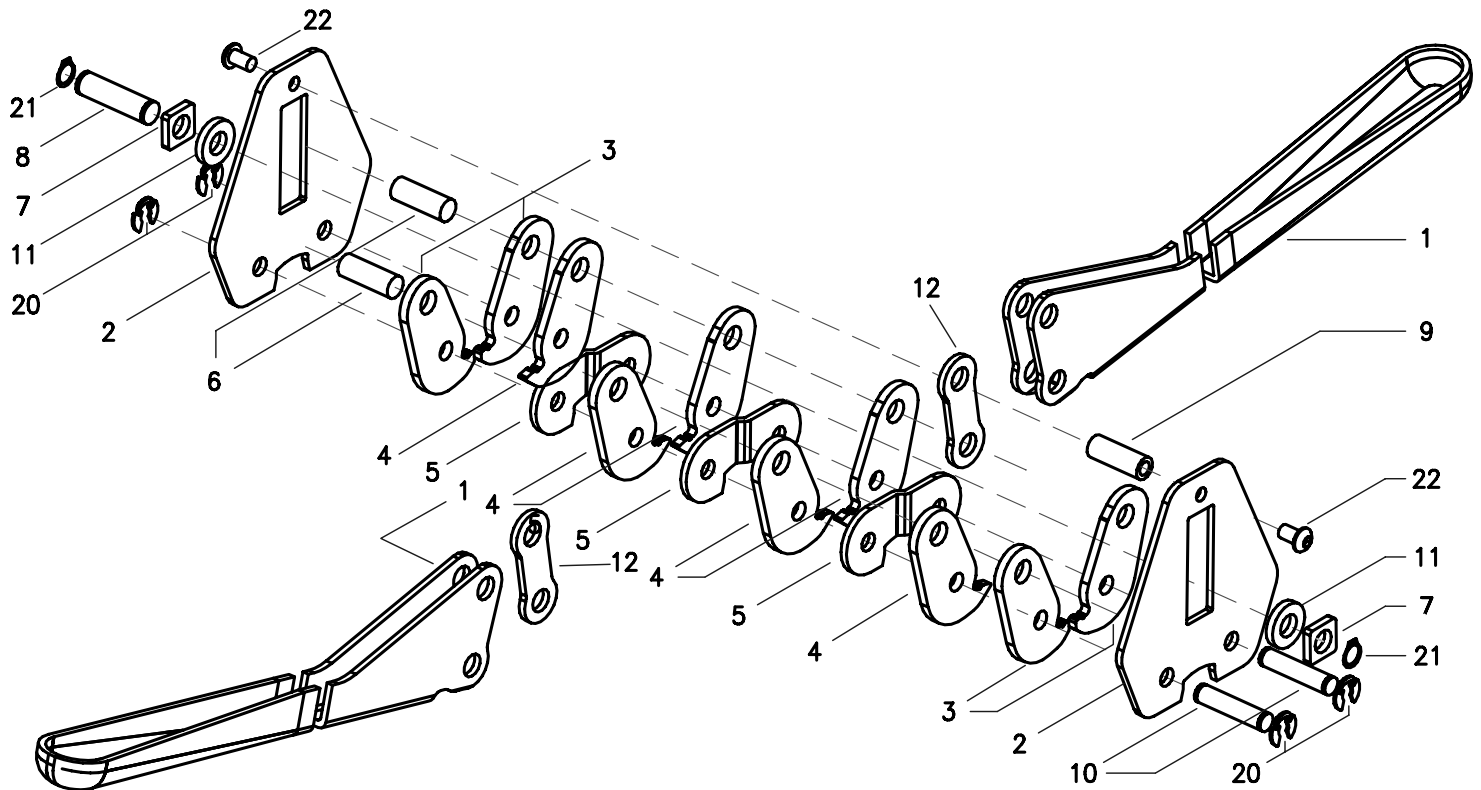


# TEKNIKA HEAVY DUTY SEALER

MODEL MUL-330-16 (0.7...1 mm)

MODEL MUL-331-16 (0.4..0.7mm)

FOR PET/PP STRAP WITH ORP 2300 OR EQUIVALENT SEALS



No	PART No	DESCRIPTION	Q'TY
<b>MUL-330-16</b>			
1	330-01	HANDLE	2
2	330-02	SIDE PLATE	2
3	330-03	OUTER JAW	4
4	330-04	INNER JAW	6
5	330-05	ANVIL	3
6	330-06	JAW PIN	2
7	330-07	SLIDE PLATE	2
8	330-08	SLIDE PIN	1
9	330-09	SPACER PIN	1
10	330-10	ANVIL PIN	2

No	PART No	DESCRIPTION	Q'TY
11	330-11	SLIDE RING	2
12	330-12	ARM	2
20	330-20	KLIPRING	4
21	330-21	RETAINING RING	2
22	20-53	BUTTON HEAD CAP SCREW	
		M6x10	2
<b>MUL-331-16</b>			
2	331-02	SIDE PLATE	2
5	331-05	ANVIL	3