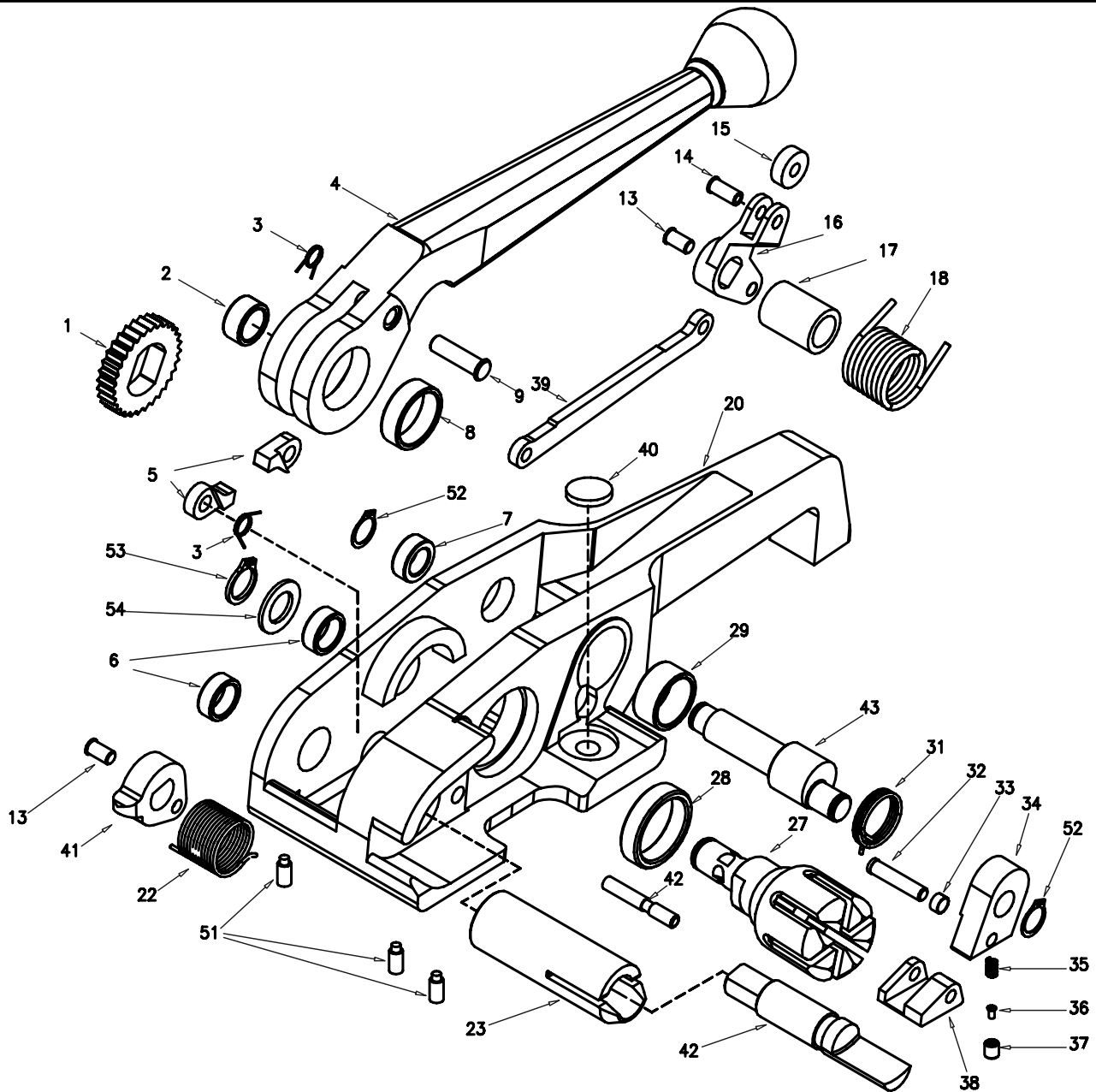


# TEKNIKA CORD TENSIONER MODEL MUL-325



No	PART No	DESCRIPTION	Q'TY	No	PART No	DESCRIPTION	Q'TY	No	PART No	DESCRIPTION	Q'TY
<b>MUL-320</b>				18	320-18	LEVER SPRING	1	39	325-39	ARM	1
1	320-01	RATCHET WHEEL	1	20	320-20	FRAME	1	40	325-40	GRIPPER PAD	1
2	320-02	HANDLE BUSHING, SMALL	1	22	320-22	CUTTER SPRING	1	41	325-41	CUTTER PIVOT LINK	1
3	320-03	TENSION PAWL SPRING	2	23	320-23	CUTTER HOUSING	1	42	325-42	STRAP ROLLER SHAFT	1
4	320-04	HANDLE	1	27	320-27	WINDLASS	1	43	325-43	ECCENTRIC SHAFT	1
5	320-05	TENSION PAWL	2	28	320-28	WINDLASS BUSHING	1	44	325-44	CUTTER	1
6	320-06	SIDE BUSHING	2	29	320-29	ECCENTRIC BUSHING, LARGE	1	51	320-51	SET SCREW M6X12 DOG POINT	3
7	320-07	ECCENTRIC BUSHING, SMALL	1	31	320-31	GRIPPER SPRING	1	52	320-52	RETAINING RING 10	2
8	320-08	HANDLE BUSHING, LARGE	1	32	320-32	GRIPPER FOOT SHAFT	1	53	320-53	RETAINING RING 12	1
9	320-09	HANDLE PIN	1	33	320-33	GRIPPER FOOT BUSHING	1	54	320-54	WASHER	1
13	320-13	PIN	2	34	320-34	GRIPPER BODY	1	<b>MUL-326</b>			
14	320-14	ROLLER PIN	1	35	320-35	GRIPPER FOOT SPRING	1	27	321-27	WINDLASS	1
15	320-15	ROLLER	1	36	320-36	GRIPPER FOOT PIN	1	28	321-28	WINDLASS NEEDLE ROLLER BEARING NK24x30x7.5TN	1
16	320-16	LEVER	1	37	320-37	GRIPPER FOOT SCREW	1				
17	320-17	LEVER BUSHING	1	38	320-38	GRIPPER FOOT	1				