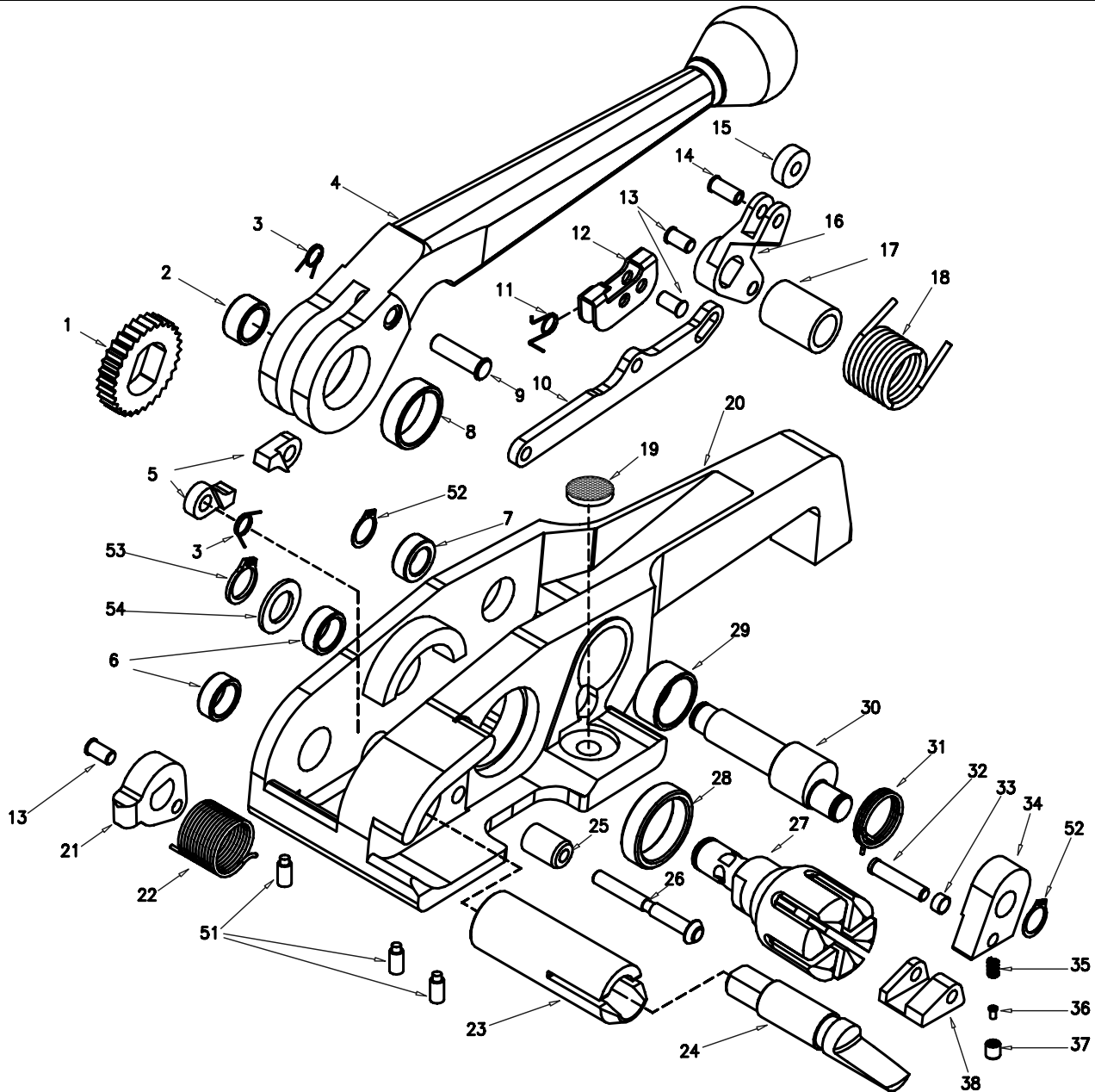


TEKNIKA PET/PP TENSIONER MODEL MUL-320/321



No	PART No	DESCRIPTION	Q'TY	No	PART No	DESCRIPTION	Q'TY	No	PART No	DESCRIPTION	Q'TY
MUL-321				16	320-16	LEVER	1	32	320-32	GRIPPER FOOT SHAFT	1
1	320-01	RATCHET WHEEL	1	17	320-17	LEVER BUSHING	1	33	320-33	GRIPPER FOOT BUSHING	1
2	320-02	HANDLE BUSHING, SMALL	1	18	320-18	LEVER SPRING	1	34	320-34	GRIPPER BODY	1
3	320-03	TENSION PAWL SPRING	2	19	320-19	GRIPPER PAD	1	35	320-35	GRIPPER FOOT SPRING	1
4	320-04	HANDLE	1	20	320-20	FRAME	1	36	320-36	GRIPPER FOOT PIN	1
5	320-05	TENSION PAWL	2	21	320-21	CUTTER PIVOT LINK	1	37	320-37	GRIPPER FOOT SCREW	1
6	320-06	SIDE BUSHING	2	22	320-22	CUTTER SPRING	1	38	320-38	GRIPPER FOOT	1
7	320-07	ECCENTRIC BUSHING, SMALL	1	23	320-23	CUTTER HOUSING	1	51	320-51	SET SCREW M6X12 DOG POINT	3
8	320-08	HANDLE BUSHING, LARGE	1	24	320-24	CUTTER	1	52	320-52	RETAINING RING 10	2
9	320-09	HANDLE PIN	1	25	320-25	STRAP ROLLER	1	53	320-53	RETAINING RING 12	1
10	320-10	ARM	1	26	320-26	STRAP ROLLER SHAFT	1	54	320-54	WASHER	1
11	320-11	ARM SPRING	1	27	320-27	WINDLASS	1	MUL-321			
12	320-12	ARM PAWL	1	28	320-28	WINDLASS BUSHING	1	27	321-27	WINDLASS	1
13	320-13	PIN	3	29	320-29	ECCENTRIC BUSHING, LARGE	1	28	321-28	WINDLASS NEEDLE ROLLER BEARING NK24x30x7.5TN	1
14	320-14	ROLLER PIN	1	30	320-30	ECCENTRIC SHAFT	1				
15	320-15	ROLLER	1	31	320-31	GRIPPER SPRING	1				